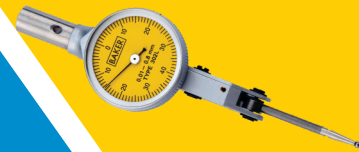
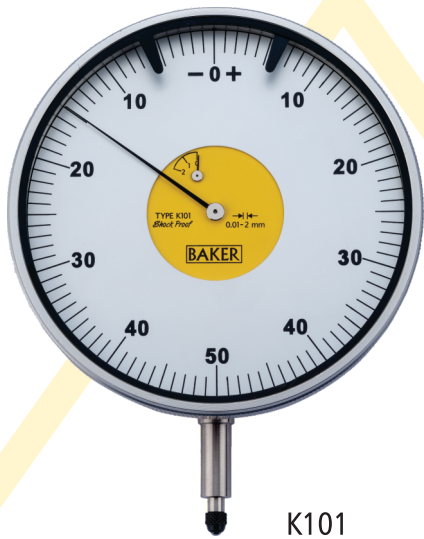


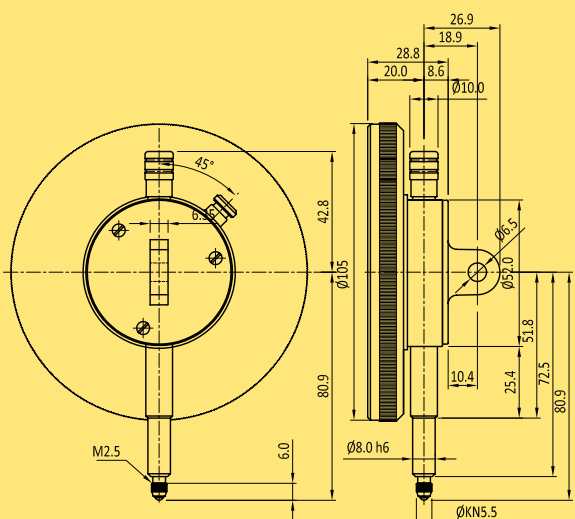
Mechanical Plunger type



MODEL 105



K101



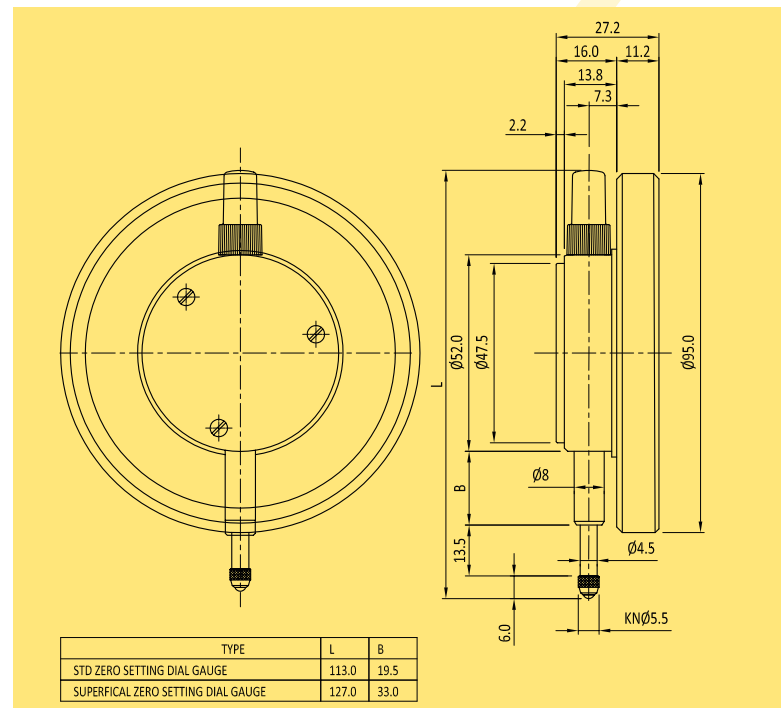
METRIC

Bezel dia.	Type	Reading	Range	Graduation
105mm	K101	0.01mm	2.0mm	0-50-0

FEATURES

- Larger diameter face for easy reading
- Every gauge carries a calibration certificate giving actual values
- Hardened stem for trouble free clamping
- Spindle made of stainless steel
- Fitted with tungsten carbide ball anvil
- Rigid brass case for increased rigidity
- Strong and smooth metal bezel
- Supplied with tolerance pointers
- Aesthetically appealing protective top cap in black colour
- Metric Gauges conform to company standard
- Special dial Gauges for OEMs also manufactured on request
- Complete spares and after sales service available

HARDNESS TESTER DIAL GAUGE



TYPE	L	B
STD ZERO SETTING DIAL GAUGE	113.0	19.5
SUPERFICAL ZERO SETTING DIAL GAUGE	127.0	33.0

FEATURES

- Every gauge carries a calibration certificate giving actual values
- Auto zero setting while operating
- Used in hardness testing machine
- Supplied with dual scale