

Digital Plunger type



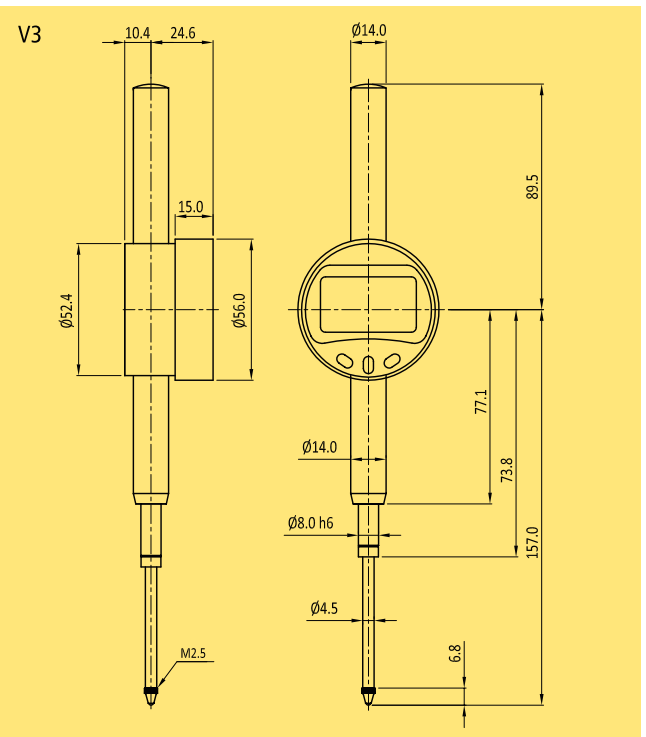
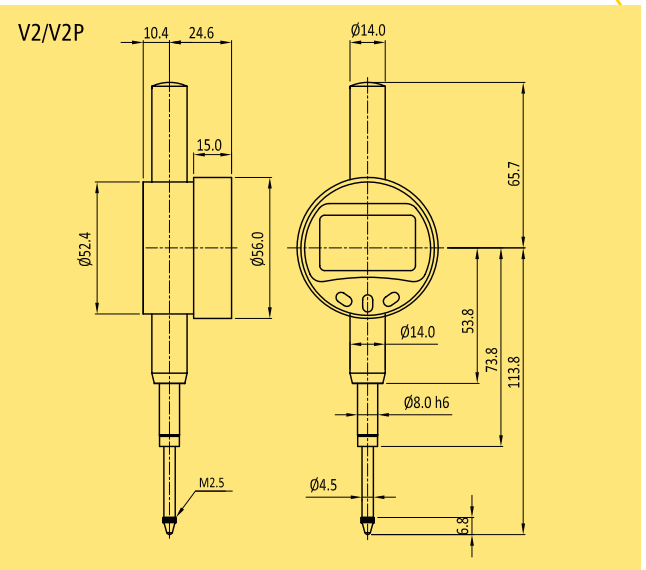
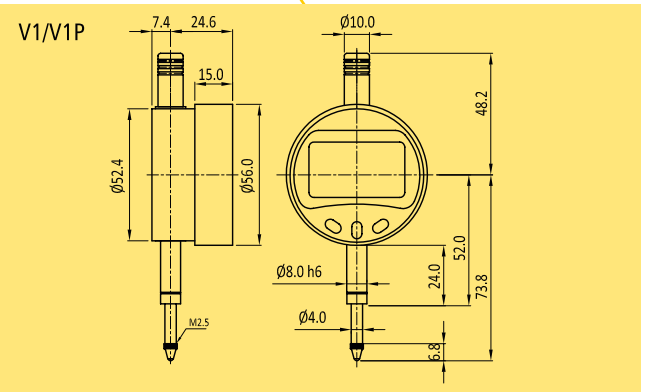
VALUE LINE



V1P

V2

V3



TYPE	V1	V2	V3	V1P	V2P
Reading	0.01 mm 0.0005 Inch	0.01 mm 0.0005 Inch	0.01 mm 0.0005 Inch	0.001 mm	0.001 mm
Range	0 – 12.5 mm 0 – 0.5 Inch	0 – 25 mm 0 – 1 Inch	0 – 50mm 0 – 2 Inch	0 – 12.5 mm	0 – 25 mm
Accuracy	0.02 mm	0.02 mm	0.02 mm	0.006 mm	0.007 mm
Repeatability	± 0.01 mm	± 0.01 mm	± 0.01 mm	± 0.002 mm	± 0.002 mm
Measuring Force	< 1 N	< 1.5 N	< 2 N	< 1 N	< 1.5 N
Weight	110 g	120 g	160 g	110 g	120 g

FEATURES

- Strong construction
- Large Digits for better viewing
- Display Resolution 0.01 mm & 0.0005 Inch
- Zero setting
- With Calibration certificate

Useful functions :

- mm / Inch
- Preset Reference
- Manual / Auto power off