

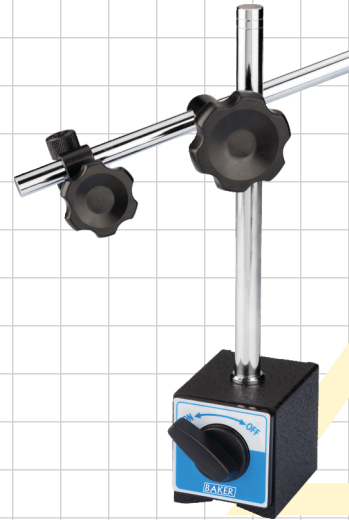
Dial Comparator / Magnetic Stand



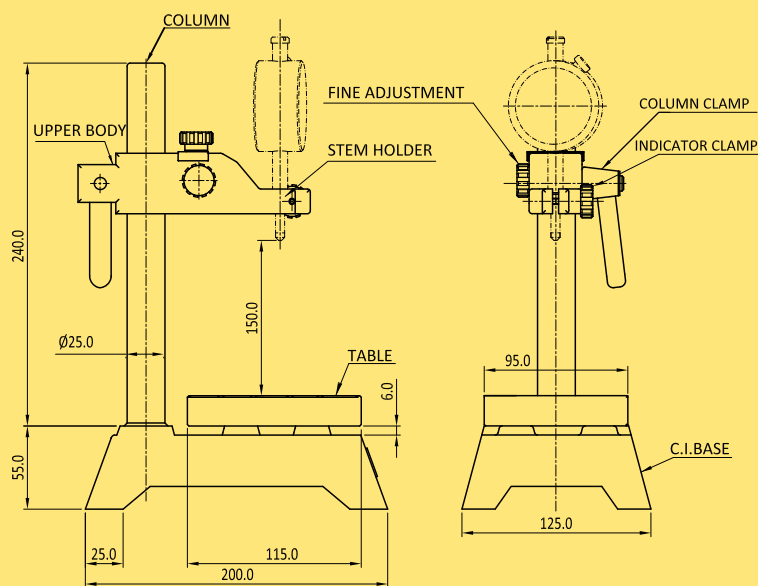
Dial Comparator Stand



Dial Magnetic Stand



Type : MS Magnetic Stand
Type : MSF Magnetic Stand with fine adjustment

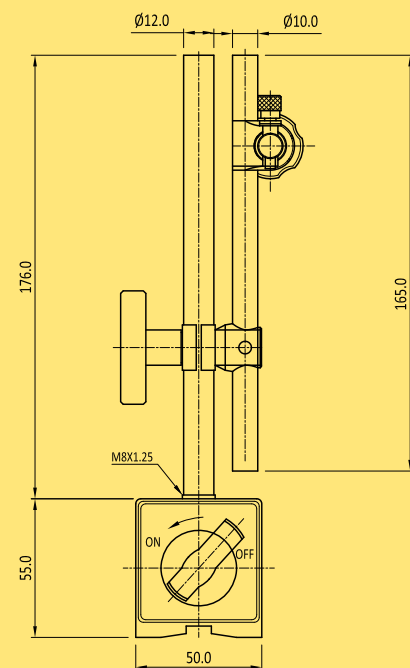


SPECIFICATION

Total Height	Measuring Range	Column Diameter	Adaptor hole for dial
295mm	150mm	25mm	$\varnothing 8h7$

FEATURES

- Hardened with 0.003 mm flatness
- Rigid Cast-iron base
- Fine adjustment of 2 mm



SPECIFICATION

Magnetic base with on/off switch	
Clamp hole 3/8" & 5/32" and 8mm (when set a ring at the hole 3/8" & 5/32)	
Magnetic force	600 N
Main stem	$\varnothing 12 \times 176$ mm
Branch stem	$\varnothing 10 \times 165$ mm
Tapped hole	M8 x 1.25 mm
Base (LxWxH)	58 mm x 50 mm x 55 mm
Weight	1.4 kg

FEATURES

- Smooth On/Off switch
- Firm Lock of stem
- Light weight design
- Fine adjustment of 15 mm