

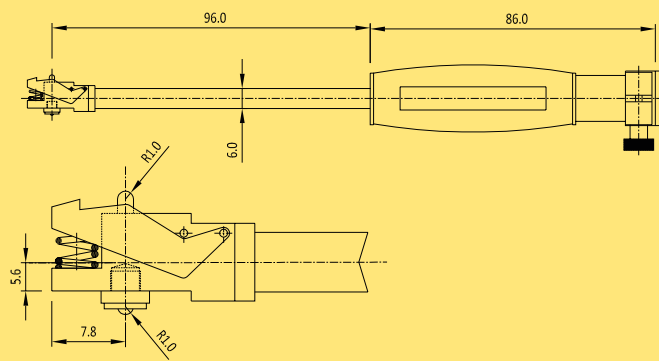
# Dial Bore Gauge



**RANGE: 10-18 mm**



K639



## METRIC

Bezel dia	Type	Reading	Depth	Graduation
56 mm	K639	0.01 mm	100 mm	0-50-0

## INCH

Bezel dia	Type	Reading	Depth	Graduation
2 1/4"	K641	0.001 "	4"	0-50-0

## DIGITAL

Bezel dia	Type	Reading	Depth
56 mm	K60D	0.001 mm/0.00005"	100 mm

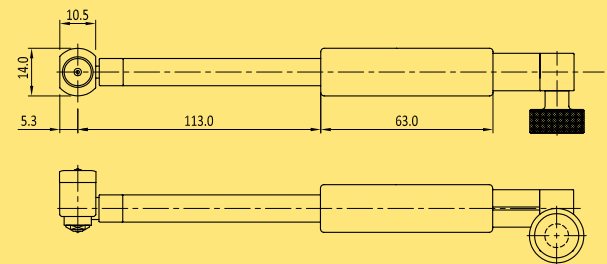
## FEATURES

- Every gauge carries a calibration certificate giving actual values
- Measures small bores from 10 mm to 18 mm
- High wear resistance due to carbide-tipped fixed and moving anvils
- Wide bridge ensures automatic centering in the bore
- Self-centralizing feature of this bore gauge ensures that measurement can be done with minimum skill
- Supplied in a sleek wooden case containing measuring anvils and extension rods with necessary tools

**RANGE: 18-50 mm**



K703



## METRIC

Bezel dia	Type	Reading	Range	Graduation
56 mm	K703	0.01 mm	175 mm	0.50-0
	K709	0.002 mm		0-10-0

## INCH

Bezel dia	Type	Reading	Range	Graduation
56 mm	K753	0.0005 "	7 "	0-25-0
	K761	0.0001"		0-50-0

## DIGITAL

Bezel dia	Type	Reading	Depth
56 mm	K70D	0.001 mm/0.00005"	150 mm

## FEATURES

- Every gauge carries a calibration certificate giving actual values
- Highly versatile 18-50mm bore gauge covers a large range for which one needs to generally purchase 2 bore gauges having ranges Ø18-35 mm and Ø35-60 mm
- High wear resistance due to carbide-tipped fixed and moving anvils
- Wide bridge ensures automatic centering in the bore
- Self-centralizing feature of this bore gauge ensures that measurement can be done with minimum skill
- Supplied in a sleek wooden case containing measurement anvils and extension rods with necessary tools