

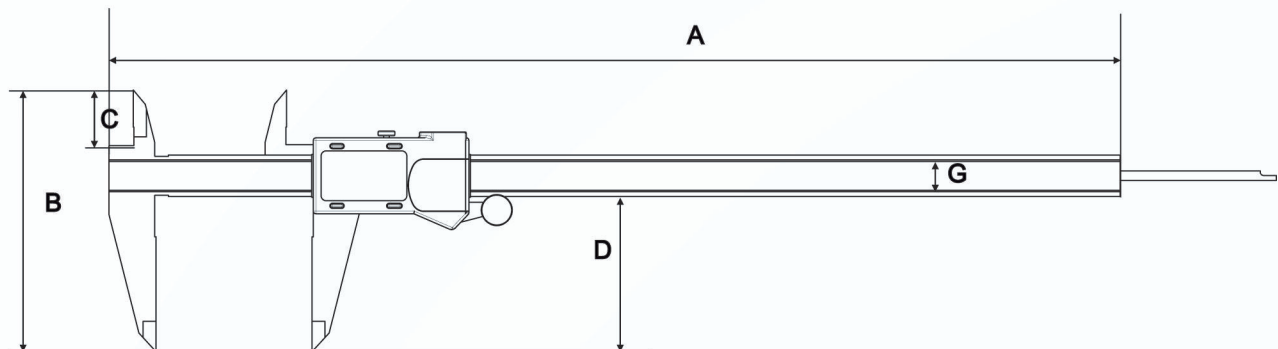
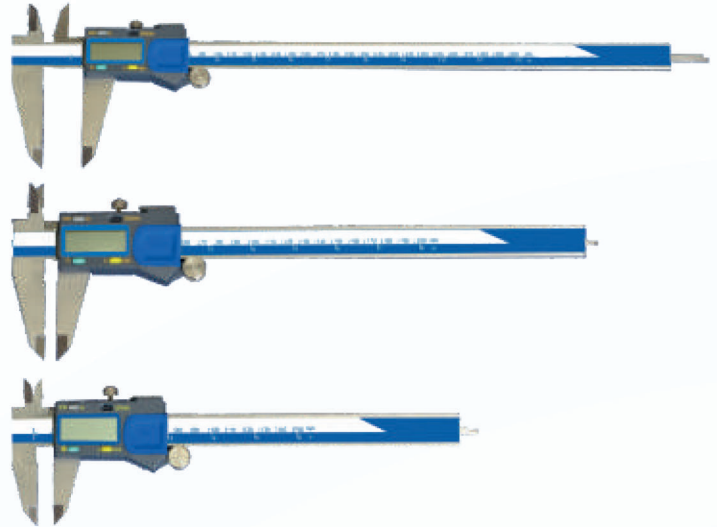
## Digital Caliper

### Specification :-

- The absolute zero feature is available, using this feature you can set an “origin point” at any where within the measuring range. Once an “origin point” is set the distance displaying between the origin and your position.

### Features :-

- Accuracy according to DIN 862.
- Made from stainless steel, the jaws are finely ground and lapped.
- Unlimited speed response from memory.
- Large display with clear figures.
- Locking screw with Inside cross points.
- Quick start electronic & quick lock function.
- Zero setting at any position & mm/inch conversion.
- Data output with USB cable. (Optional)
- 3V battery.



Code	A	B	C	D	G
EVC - 150	235	76	15	40	16
EVC - 200	287	90	16	52	16
EVC - 300	389	101	18	60	16

### Technical Specification :-

Code	Range	Reading
EVC - 150	0-150mm/0-6"	0.01mm/0.0005"
EVC - 200	0-200mm/0-8"	0.01mm/0.0005"
EVC - 300	0-300mm/0-12"	0.01mm/0.0005"