

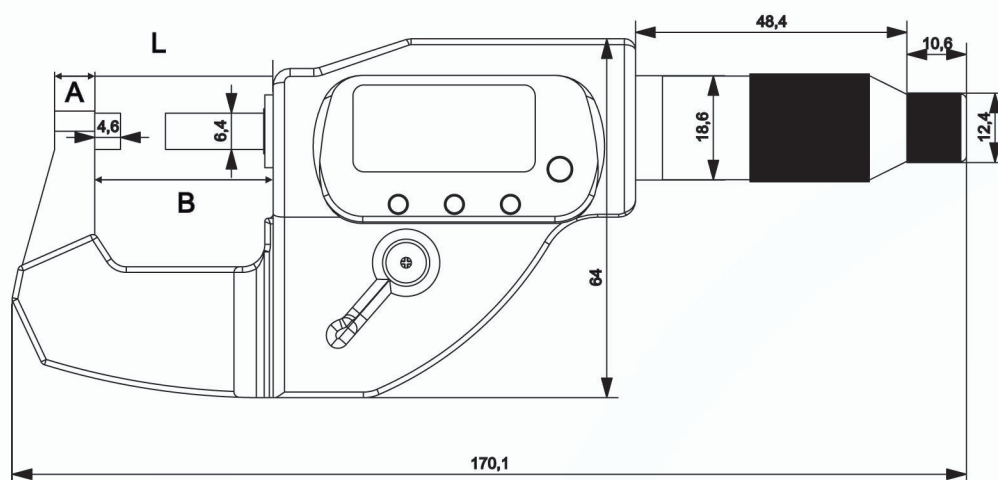
Absolute Digital Snap Micrometer

Specification :-

- Absolute Digital Snap Micrometer can give quick measuring with the lever. It's also used for precision measurement or mass-produced parts.

Features :-

- No rotating spindle avoiding scratch parts
- Absolute origin
- IP65 protection level
- SPC data output
- Quick measuring with lever
- Higher accuracy
- Higher reliability
- Longer battery life



Technical Specification :-

Code	Range	L.C.	A	B	L
DSM 25	0-25mm/(0-1")	0.001mm/0.00005"	7.2	24.2	31.8